

MICRO SWITCH
a Honeywell Division

FED. MFG. CODE 91 929

SWITCH - BASIC

CATALOG LISTING

V7-7B17D8-201

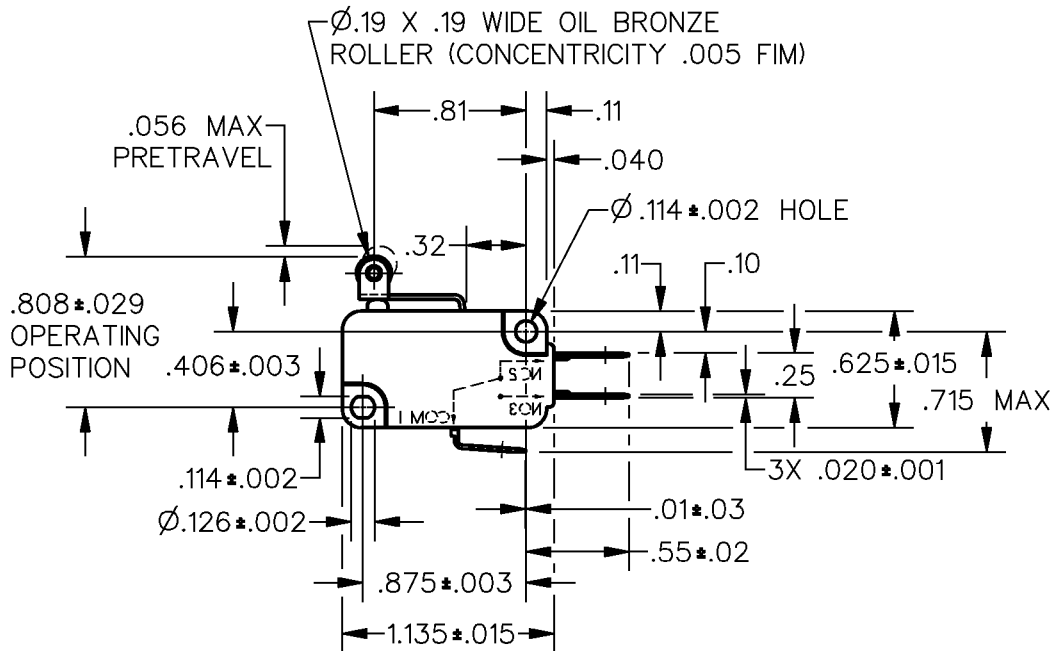
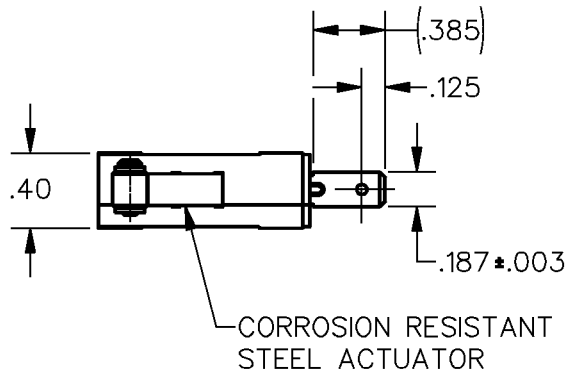
CW-C6117

CATALOG LISTING
V7-7B17D8-201
PAGE 1 OF 1

ISSUE
2

REVISIONS
A PR23389
17 TSM
APR 98

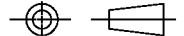
REPLACES X102350-V7
RELEASE NO. PR-23389
CHECK
17 APR 98
CHECK
JAF
7 APR 98
CHECK
TSM



ANSI Y14.5M-1982 APPLIES

THIS DRAWING COVERS A PROPRIETARY ITEM AND IS THE PROPERTY OF MICRO SWITCH, A DIVISION OF HONEYWELL. THIS DRAWING IS NOT TO BE COPIED OR USED WITHOUT THE APPROVAL OF MICRO SWITCH.

THIRD ANGLE PROJECTION



CHARACTERISTICS	ELECTRICAL DATA	SCALE FULL	DO NOT SCALE PRINT
OPERATING FORCE — — — — 10 OZ MAX	CONTACT ARRANGEMENT S P D T	UNLESS OTHERWISE SPECIFIED TOLERANCES ARE	
RELEASE FORCE — — — — 1 OZ MIN	L156 11A 1/3HP 125, 250 OR 277 VAC 1/2A 125 VDC, 1/4A 250 VDC 4A 125 VAC "L"	ONE PLACE (.0)	± .030
DIFFERENTIAL TRAVEL — — .013 MAX		TWO PLACE (.00)	± .015
OVERTRAVEL — — — — .034 MIN		THREE PLACE (.000)	± .005
RELEASE TRAVEL — — — .007 MIN		ANGLES	±
		WEIGHT	



DDM/CAD
DRAWN